

Sine encoders

Solid shaft with synchro flange

1000...5000 sinewave cycles per turn

BDT sine



BDT sine

Features

- Encoder with solid shaft $\varnothing 6$ mm
- Optical sensing method
- Up to 5000 sinewaves cycles per turn
- Sine output
- Small profile depth
- Synchro flange

Technical data - electrical ratings

Voltage supply	5 VDC ± 5 %
Consumption typ.	100 mA (5 VDC, w/o load)
Sinewave cycles per revolution	1000...5000
Reference signal	Zero pulse, width 90°
Sensing method	Optical
Output frequency	≤ 160 kHz
Output signals	A 90° B, N + inverted
Output stages	SinCos 1 Vpp
Interference immunity	DIN EN 61000-6-2
Emitted interference	DIN EN 61000-6-3
Approval	UL approval / E217823

Technical data - mechanical design

Size (flange)	$\varnothing 58$ mm
Shaft type	$\varnothing 6$ mm solid shaft (synchro flange)
Admitted shaft load	≤ 10 N axial ≤ 20 N radial
Flange	Synchro flange
Protection DIN EN 60529	IP 65, IP 42
Operating speed	≤ 12000 rpm (IP 42) ≤ 6000 rpm (IP 65)
Operating torque typ.	0.0023 Nm (IP 42) 0.026 Nm (IP 65)
Materials	Housing: steel Housing: steel (connection -A) Flange: aluminium
Operating temperature	-20...+85 °C
Relative humidity	95 % non-condensing
Resistance	DIN EN 60068-2-6 Vibration 10 g, 10-200 Hz DIN EN 60068-2-27 Shock 50 g, 11 ms
Connection	Connector M23, 12-pin Cable 2 m
Weight approx.	300 g

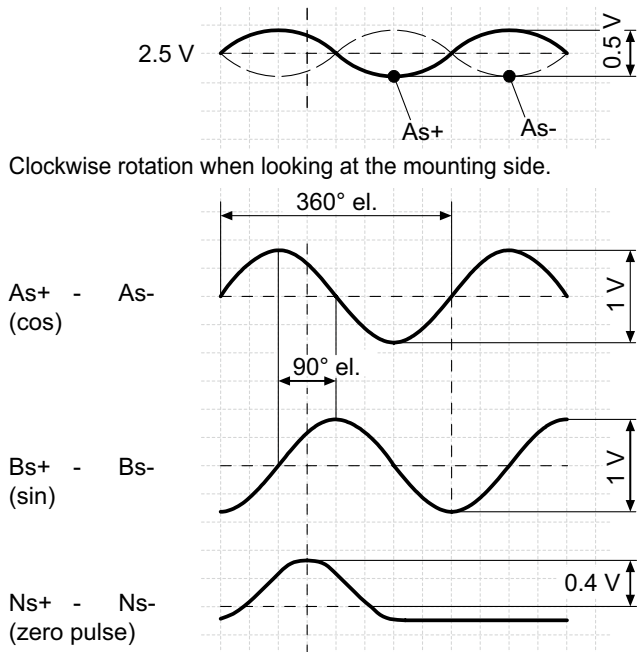
Sine encoders

Solid shaft with synchro flange

1000...5000 sinewave cycles per turn

BDT sine

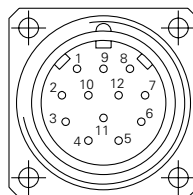
Output signals



Terminal assignment

Cable / Connector M23 male
for connection references **-A** and **-5**

Connector	Core colour	Signals
Pin 1	pink	Bs-
Pin 2	blue	+Vs
Pin 3	red	Ns+
Pin 4	black	Ns-
Pin 5	brown	As+
Pin 6	green	As-
Pin 7	yellow	n.c.
Pin 8	grey	Bs+
Pin 9	–	n.c.
Pin 10	white	0 V
Pin 11	–	0 V
Pin 12	–	+Vs
Screen	connected to housing	
Cable data	9 x 0,14 mm ²	



Sine encoders

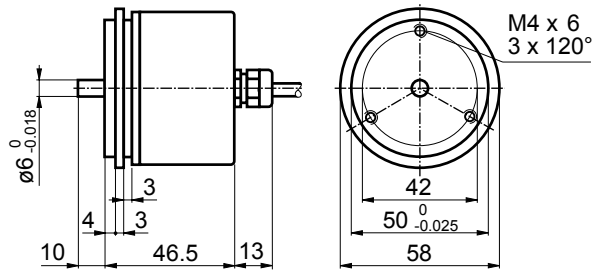
Solid shaft with synchro flange

1000...5000 sinewave cycles per turn

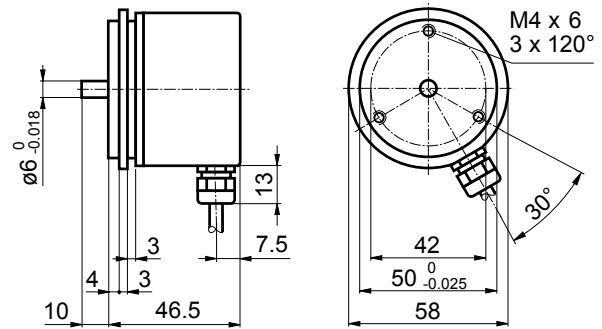
BDT sine

Dimensions

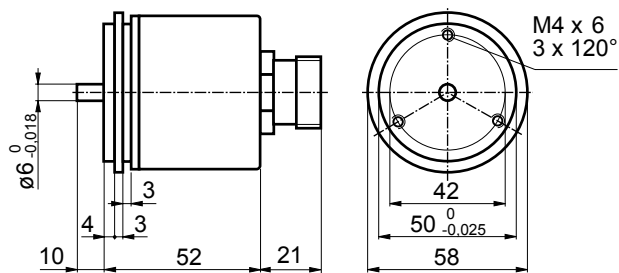
BDT sine, cable axial



BDT sine, cable radial



BDT sine, connector output axial



BDT sine, connector output radial

