

Preset counters mechanic

Meter counter, subtracting

Display 4-digits, manual reset by button

ME102



ME102 - Meter counter

Features

- Preset counter with one preset
- Meter counter
- Subtracting
- Display 4-digits
- With reset button
- Surface mount housing

Technical data - electrical ratings

| | |
|-----------------------|--|
| Preset | 1 preset |
| Preset setting | Press reset button and hold. Enter desired value in any order. Release reset button. |
| Trigger / end contact | At 0000: As momentary contact: Contact duration dependent on speed e.g. 100 ms, at 10000 rpm and 50 revolutions = 1 digit At 9999: As permanent contact, contact remains until reset. If no reset takes place, the contact switches back at 8999. |
| Trigger / precontact | Preset number as momentary contact. End contact as permanent contact |
| Output contact | Change-over contact |
| Switching voltage | 230 VAC / VDC |
| Switching current | 2 A |
| Switching capacity | 100 VA / 30 W |
| Spark extinguisher | Recommended for inductive load |

Technical data - mechanical design

| | |
|---------------------------|--|
| Function | Meter counter with preset |
| Display | White numbers on black Decimal digits in red |
| Number of digits | 4-digits |
| Digit height | 5.5 mm |
| Count mode | Subtracting in a rotational direction to be indicated, adding in reverse direction |
| Drive shaft | Both sides, $\varnothing 4$ mm |
| Reset | Manual by button to preset |
| Operating torque | ≤ 0.8 Nm (with 1 rev. = 1 count) ≤ 0.4 Nm (with 50 rev. = 1 count) |
| Measuring speed | 5 revs. = 1 digit = < 2000 m/min 5 revs. = 10 di. = < 200.0 m/min |
| Measuring accuracy | 1 m, 1 dm, 1 cm |
| Measuring range | See part number |
| Ambient temperature | 0...+60 °C |
| Housing type | Surface mount housing |
| Housing colour | Grey |
| Dimensions W x H x L | 60 x 62 x 68.5 mm |
| Dimensions mounting plate | 60 x 62 mm |
| Mounting type | Surface mount housing |
| Weight approx. | 350 g |
| Material | Housing: Hostaform POM, grey |
| Connection | Cable 0.3 m, 3-pin |

Preset counters mechanic

Meter counter, subtracting

Display 4-digits, manual reset by button

ME102

Part number

ME102.0

Measuring range / trigger

- A 9999 m / Contact at 0000
- B 999.9 m / Contact at 0000
- C 99.99 m / Contact at 0000
- D 8999 m / Contact at 9999
- E 899.9 m / Contact at 9999
- F 89.99 m / Contact at 9999
- G 8999 m / Contact at 9999, with precontact
- H 899.9 m / Contact at 9999, with precontact
- I 89.99 m / Contact at 9999, with precontact

Count mode /Direction of rotation

- 03 5 revs. = 100 digits / I
- 04 5 revs. = 100 digits / II
- 09 5 revs. = 10 digits / I
- 10 5 revs. = 10 digits / II
- 15 5 revs. = 1 digit / I
- 16 5 revs. = 1 digit / II
- 21 50 revs. = 1 digit x 10 / I
- 22 50 revs. = 1 digit x 10 / II

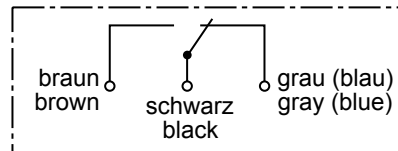
Housing

- A Grey, cable 0.3 m / without precontact / mounting plate 60 x 62 mm
- B Grey, cable 0.3 m / with precontact / mounting plate 60 x 62 mm

Trigger

- 1 Momentary contact at 0000
 - 2 Permanent contact at 9999
 - 3 Permanent contact at 9999, permanent precontact (*) as momentary contact
- (*) indicate desired value when ordering

Connection diagram



The connection diagram illustrates the ready status (counter preselected).

Direction of strokes and rotation



Away from user
Direction of rotation I

Towards user
Direction of rotation II

Accessories

Measuring wheels

- MR211.04A Circumf. 20 cm, knurled aluminium
- MR241.04D Circumf. 20 cm, smooth Hytrel TPE-E
- MR261.04A Circumf. 20 cm, knopped rubber NBR Nitril
- MR291.04D Circumf. 20 cm, grooved Hytrel TPE-E

Preset counters mechanic

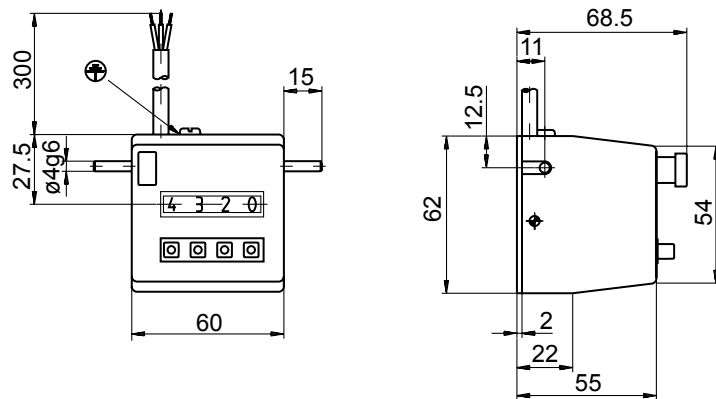
Meter counter, subtracting

Display 4-digits, manual reset by button

ME102

Dimensions

ME102



Mounting plate 60 x 62 mm

