

## Duoflow Rotating Siphon

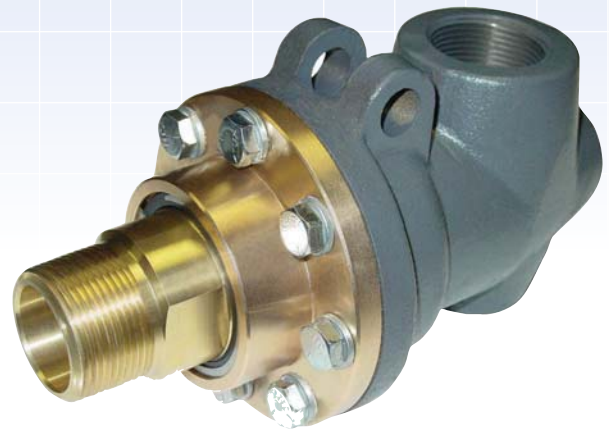
Catalog C2005  
Water, Steam & Hot Oil Duoflow Rotating Siphon

### BC-54205 & BC-54206 SERIES

#### Special Design Features

- **Two widely spaced Carbon Bearings provides greater support to the siphon pipe and hoses.**
- **Carbon Seal placed under compression add strength and shock resistance. Joints lasts longer.**
- **External seal wear indicator allows for planned maintenance reducing expensive downtime.**

The DEUBLIN Type "CR" (threaded) and "CRF" Rotary Joints are designed to be used with rotating siphon in water or other circulation service. the rotating siphon pipe is retained by a special bearing (in place of threaded stationary siphon connection), which is independent of the seal. When used in circulating liquid services with relatively equal pressure in both inlet and outlet passages, a small amount of "cross circuit" leakage between the passages must be permissible. Siphon pipes are not furnished, but must be machined to dimensions given in the table supplied. Pressure and temperature ratings are equivalent to those given for Type "C" and "CF" rotary joints.



**Bronze Trim**  
Sizes 1/2" to 3"



**Ferrous Trim**  
Sizes 1/2" to 3"

**Engineered for Performance**

# TYPE "CR" & "CRF"



**Bronze Trim Construction**  
Bronze sleeve and end cap,  
with casing for water, brine  
and low pressure steam.  
Steam - 125 psi (8.6 BAR)  
Water - 300 psi (20.6 BAR)



**Ferrous Trim Construction**  
Recommended for higher  
pressure steam to 250 psi  
(17.2 BAR).



**Hot Oil Construction**  
Recommended for Hot Oil  
services rated at 100 psi  
(6.8 BAR) & +446 °F.

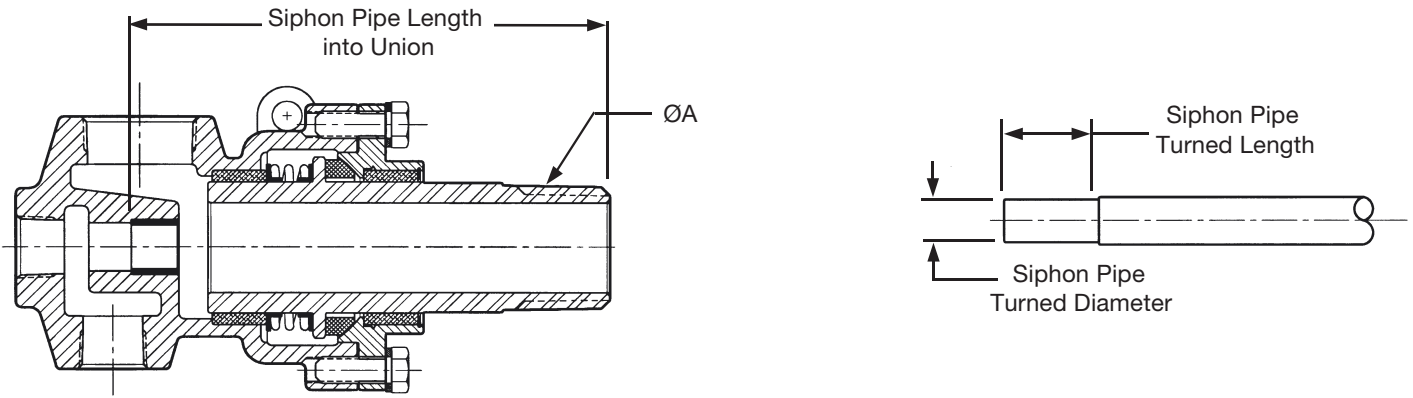
For BSPT threads:

Add a "B" to the end of the part number.

Example: BC-54205-08-50B

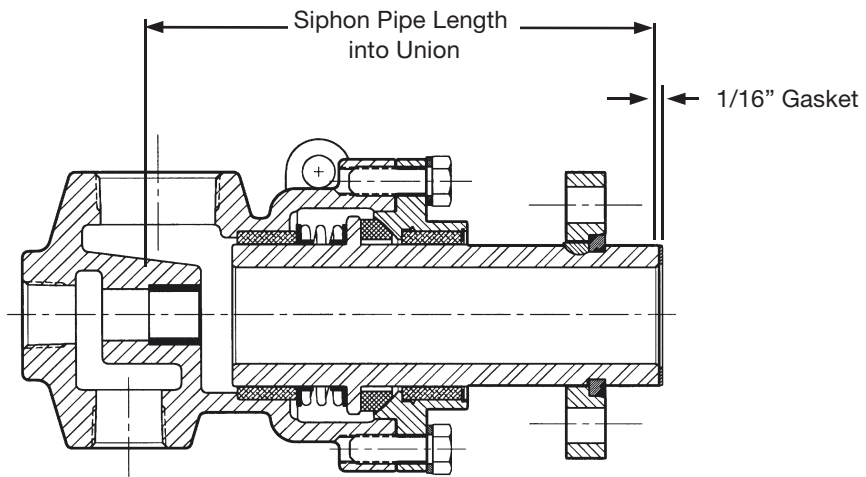
Joint Size	Ferrous Trim Part Number	Bronze Trim Part Number	Hot Oil Part Number	A NPT	Siphon Pipe Size	Siphon Pipe Turned Dimension	Siphon Pipe Turned Length	Siphon Pipe Length into Union
1/2"	BC-54205-08-50	BC-54206-08-50	BC-54205-08-20	1/2" R.H.	1/8"	Ø.371-.372"	1.125"	5.13"
	BC-54205-08-51	BC-54206-08-51	BC-54205-08-21	1/2" L.H.	1/8"	Ø.371-.372"	1.125"	5.13"
3/4"	BC-54205-12-50	BC-54206-12-50	BC-54205-12-20	3/4" R.H.	1/4"	Ø.496-.497"	1.125"	5.07"
	BC-54205-12-51	BC-54206-12-51	BC-54205-12-21	3/4" L.H.	1/4"	Ø.496-.497"	1.125"	5.07"
1"	BC-54205-16-50	BC-54206-16-50	BC-54205-16-20	1" R.H.	3/8"	Ø.621-.622"	1.250"	6.08"
	BC-54205-16-51	BC-54206-16-51	BC-54205-16-21	1" L.H.	3/8"	Ø.621-.622"	1.250"	6.08"
	BC-54205-16-60	BC-54206-16-60	BC-54205-16-30	CF	3/8"	Ø.621-.622"	1.250"	6.82"
	BC-54205-16-62	not available	BC-54205-16-32	QR	3/8"	Ø.621-.622"	1.250"	6.83"
1 1/4"	BC-54205-20-50	BC-54206-20-50	BC-54205-20-20	1 1/4" R.H.	1/2"	Ø.808-.810"	1.500"	7.47"
	BC-54205-20-51	BC-54206-20-51	BC-54205-20-21	1 1/4" L.H.	1/2"	Ø.808-.810"	1.500"	7.47"
	BC-54205-20-62	not available	BC-54205-20-32	QR	1/2"	Ø.808-.810"	1.500"	8.59"
1 1/2"	BC-54205-24-50	BC-54206-24-50	BC-54205-24-20	1 1/2" R.H.	3/4"	Ø.995-.997"	1.500"	7.47"
	BC-54205-24-51	BC-54206-24-51	BC-54205-24-21	1 1/2" L.H.	3/4"	Ø.995-.997"	1.500"	7.47"
	BC-54205-24-60	BC-54206-24-60	BC-54205-24-30	CF	3/4"	Ø.995-.997"	1.500"	8.88"
	BC-54205-24-62	not available	BC-54205-24-32	QR	3/4"	Ø.995-.997"	1.500"	8.89"
2"	BC-54205-32-50	BC-54206-32-50	BC-54205-32-20	2" R.H.	1"	Ø1.245-1.247"	2.000"	8.37"
	BC-54205-32-51	BC-54206-32-51	BC-54205-32-21	2" L.H.	1"	Ø1.245-1.247"	2.000"	8.37"
	BC-54205-32-60	BC-54206-32-60	BC-54205-32-30	CF	1"	Ø1.245-1.247"	2.000"	9.83"
	BC-54205-32-62	not available	BC-54205-32-32	QR	1"	Ø1.245-1.247"	2.000"	9.46"
2 1/2"	BC-54205-40-50	BC-54206-40-50	BC-54205-40-20	2 1/2" R.H.	1 1/4"	Ø1.495-1.497"	2.250"	10.02"
	BC-54205-40-51	BC-54206-40-51	BC-54205-40-21	2 1/2" L.H.	1 1/4"	Ø1.495-1.497"	2.250"	10.02"
	BC-54205-40-60	BC-54206-40-60	BC-54205-40-30	CF	1 1/4"	Ø1.495-1.497"	2.250"	10.64"
	BC-54205-40-62	not available	BC-54205-40-32	QR	1 1/4"	Ø1.495-1.497"	2.250"	10.64"
3"	BC-54205-48-50	BC-54206-48-50	BC-54205-48-20	3" R.H.	1 1/2"	Ø1.745-1.747"	2.250"	11.03"
	BC-54205-48-51	BC-54206-48-51	BC-54205-48-21	3" L.H.	1 1/2"	Ø1.745-1.747"	2.250"	11.03"
	BC-54205-48-60	BC-54206-48-60	BC-54205-48-30	CF	1 1/2"	Ø1.745-1.747"	2.250"	11.54"
	BC-54205-48-62	not available	BC-54205-48-32	QR	1 1/2"	Ø1.745-1.747"	2.250"	11.54"

# Threaded End & Siphon Pipe



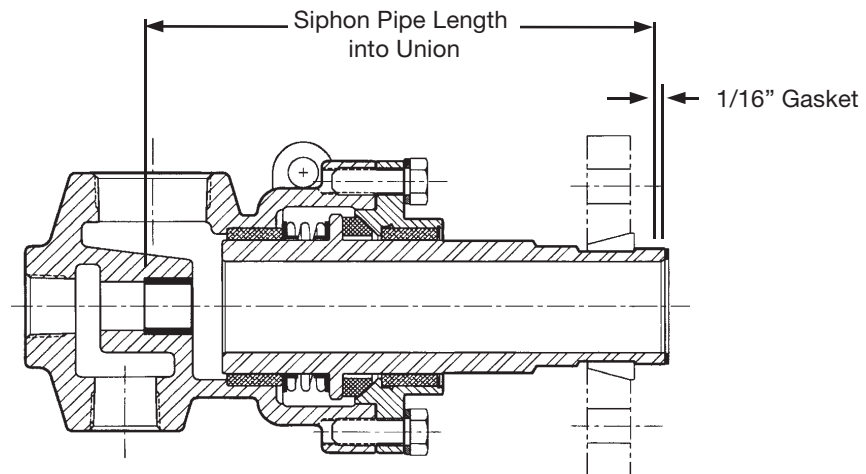
# CF Connection

Ferrous & Bronze Trim  
1" & 1 1/2" - 3"

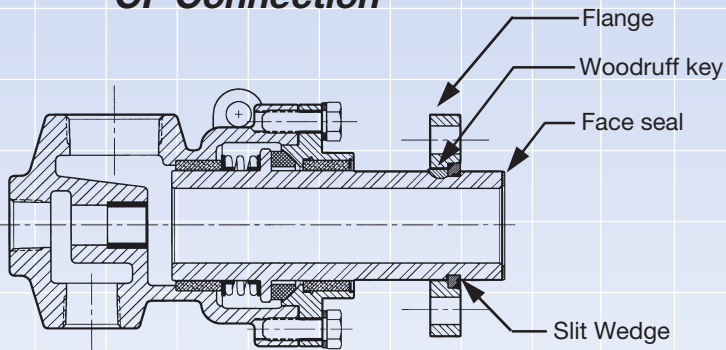


# Quick Release Connection

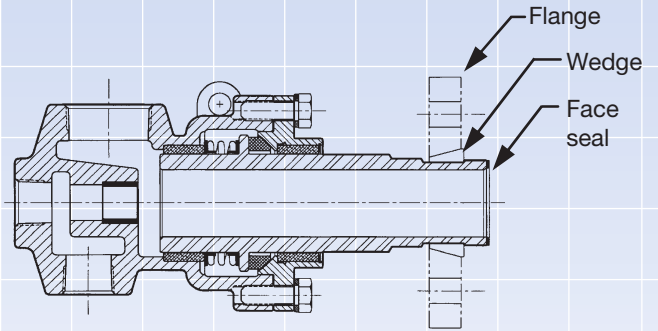
Ferrous Trim Only  
1" - 3"



**CF Connection**

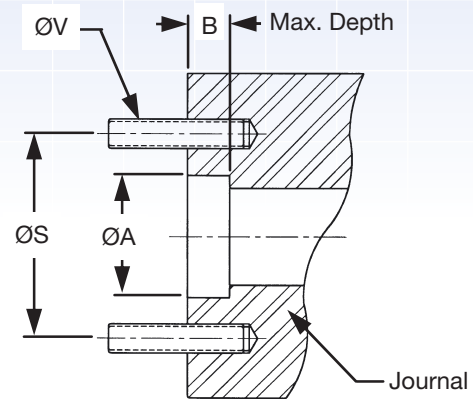


**Quick Release Connection**



**Journal Dimensions**

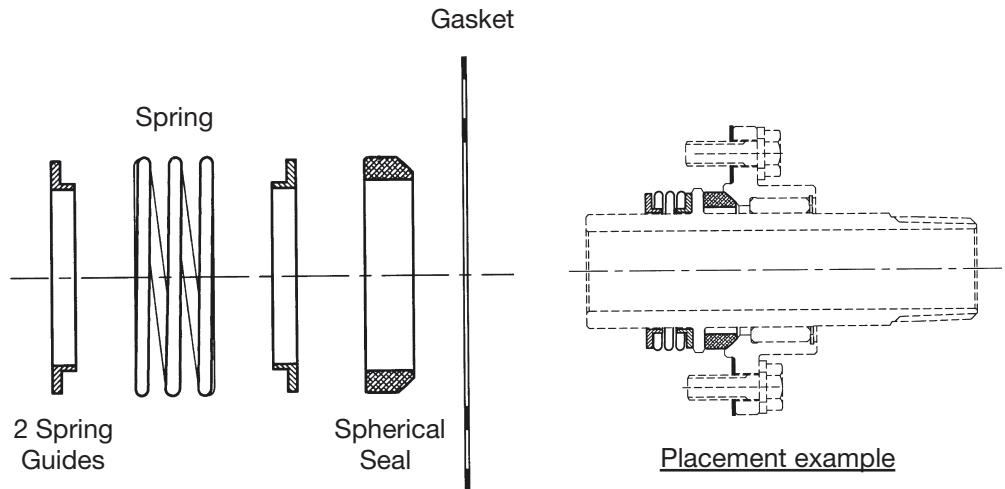
Joint size	CF Connection		Quick Release Connection	
	ØA	B	ØA	B
1"	Ø1.408"-1.406"	1.052"	Ø1.283"-1.279"	.312"
1 1/4"	--	1.052"	Ø1.624"-1.623"	.375"
1 1/2"	Ø2.099"-2.096"	1.052"	Ø1.877"-1.873"	.375"
2"	Ø2.724"-2.721"	1.052"	Ø2.325"-2.321"	.500"
2 1/2"	Ø3.099"-3.096"	1.052"	Ø2.845"-2.841"	.625"
3"	Ø3.724"-3.721"	1.052"	Ø3.439"-3.435"	.875"



Quick Release Flanges and split wedges are available. Contact DEUBLIN for more information.

**Repair Kits**

Joint Size	Part Number
1/2"	10-27274-00
3/4"	10-27275-00
1"	10-27276-00
1 1/4"	10-27277-00
1 1/2"	10-27278-00
2"	10-27279-00
2 1/2"	10-27280-00
3"	10-27281-00



DEUBLIN Company  
 2050 Norman Drive  
 Waukegan, IL 60085-6747 U.S.A.  
 Phone: +1 847 689-8600  
 Fax: +1 847 689-8690  
 E-Mail: customerservice@deublin.com